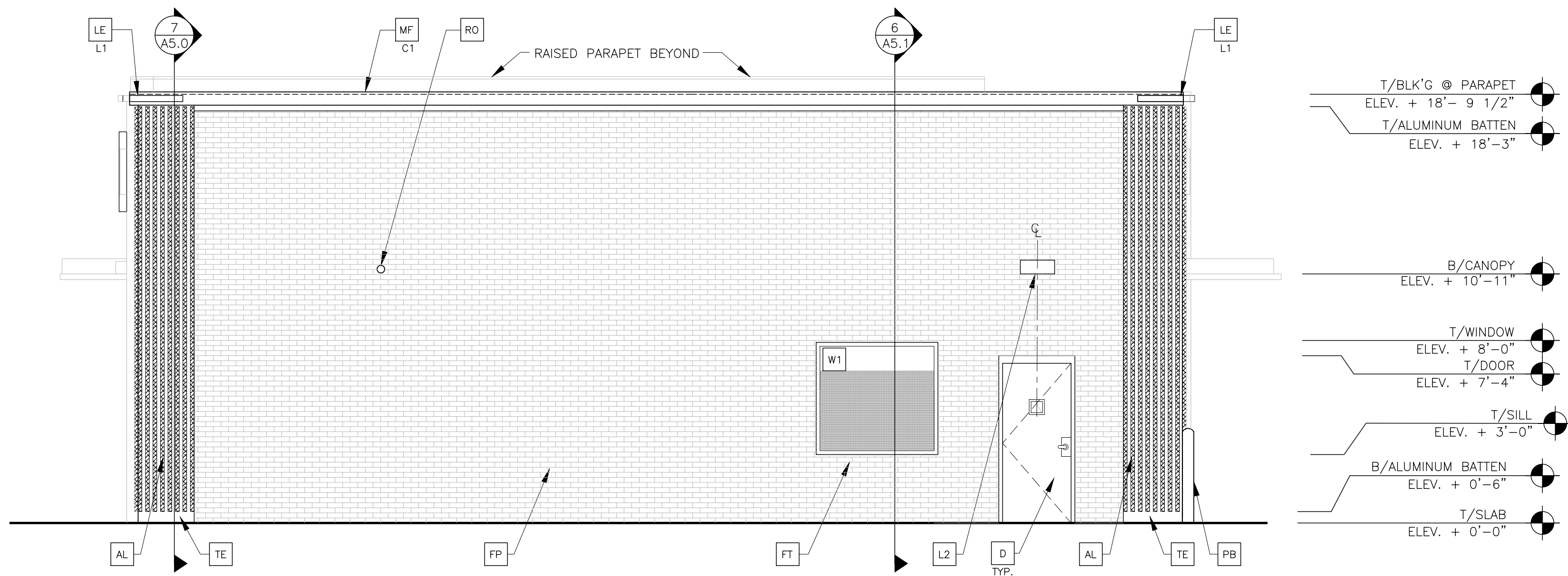


1 DRIVE THRU ELEVATION
 1/4" = 1'-0"
 60 s.f.
 1860 Total s.f.
 3% FENESTRATION

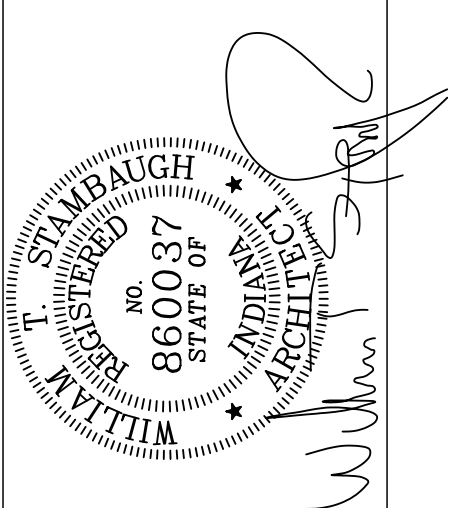


2 REAR ELEVATION
 1/4" = 1'-0"
 50 s.f.
 864 Total s.f.
 6% FENESTRATION

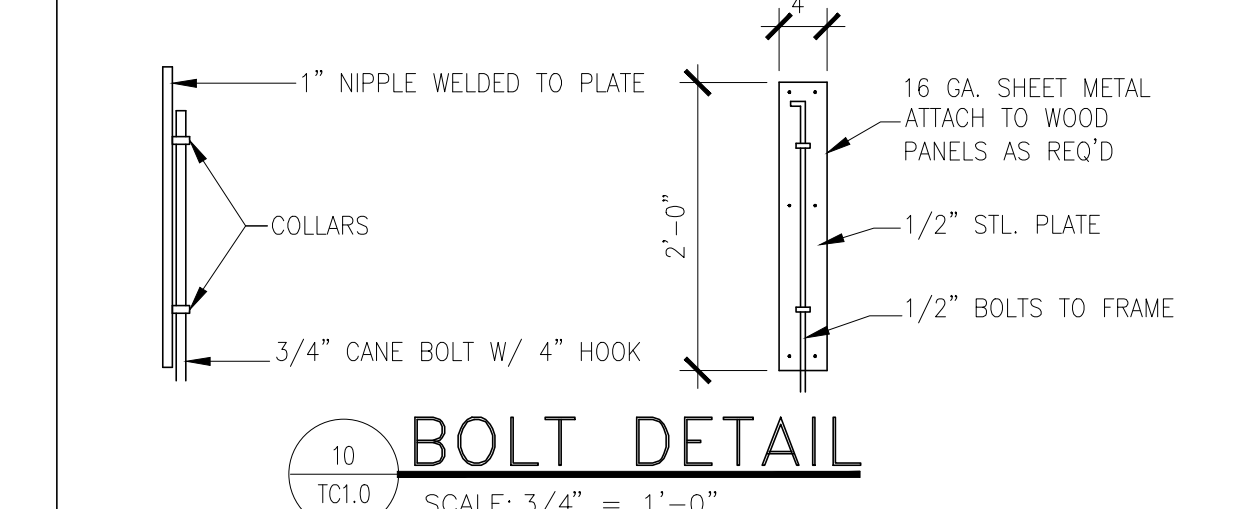
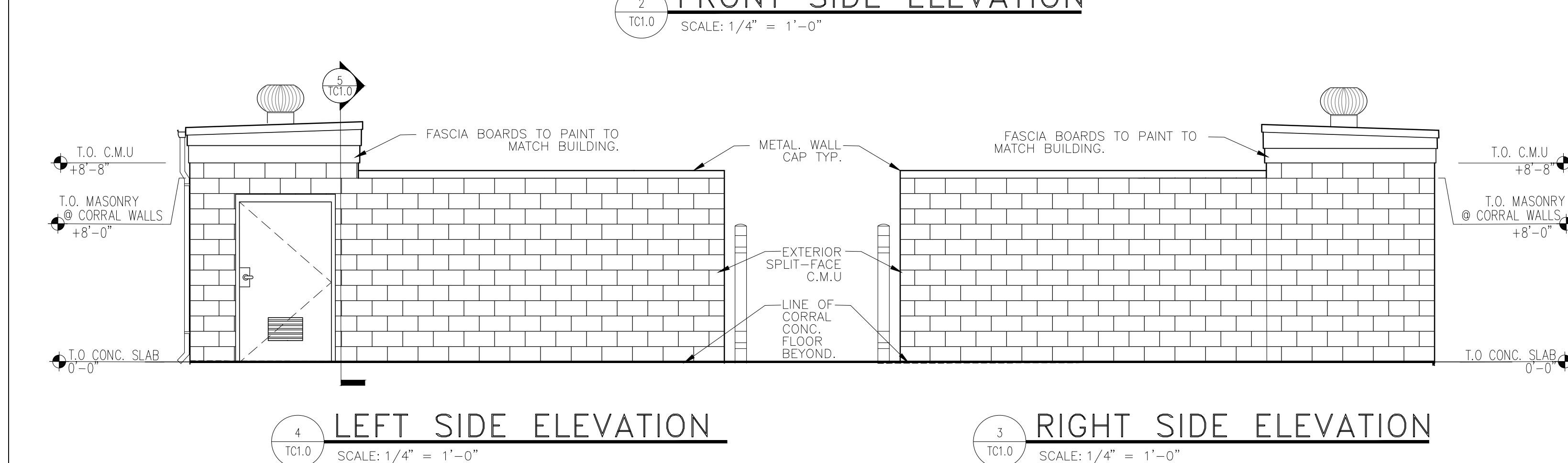
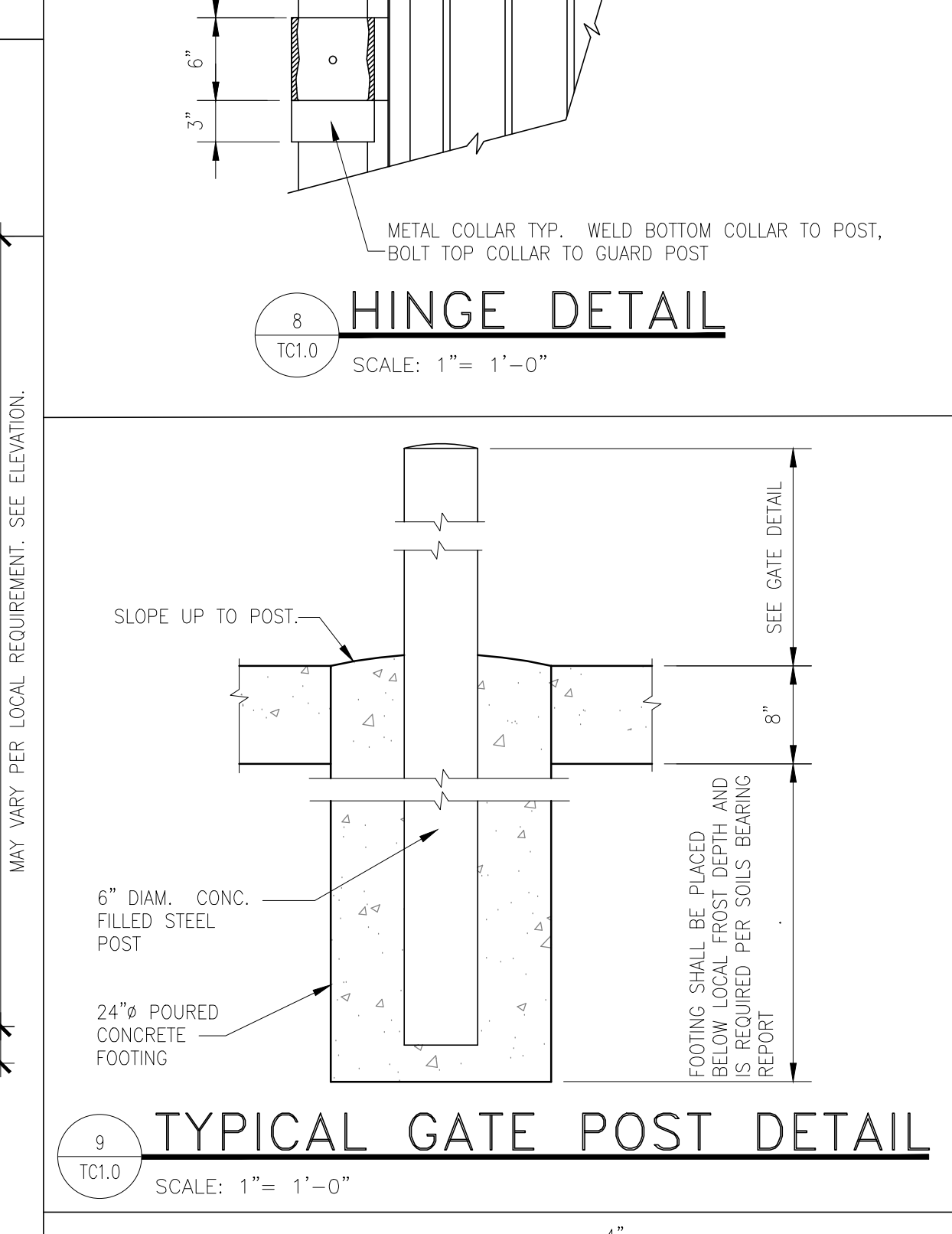
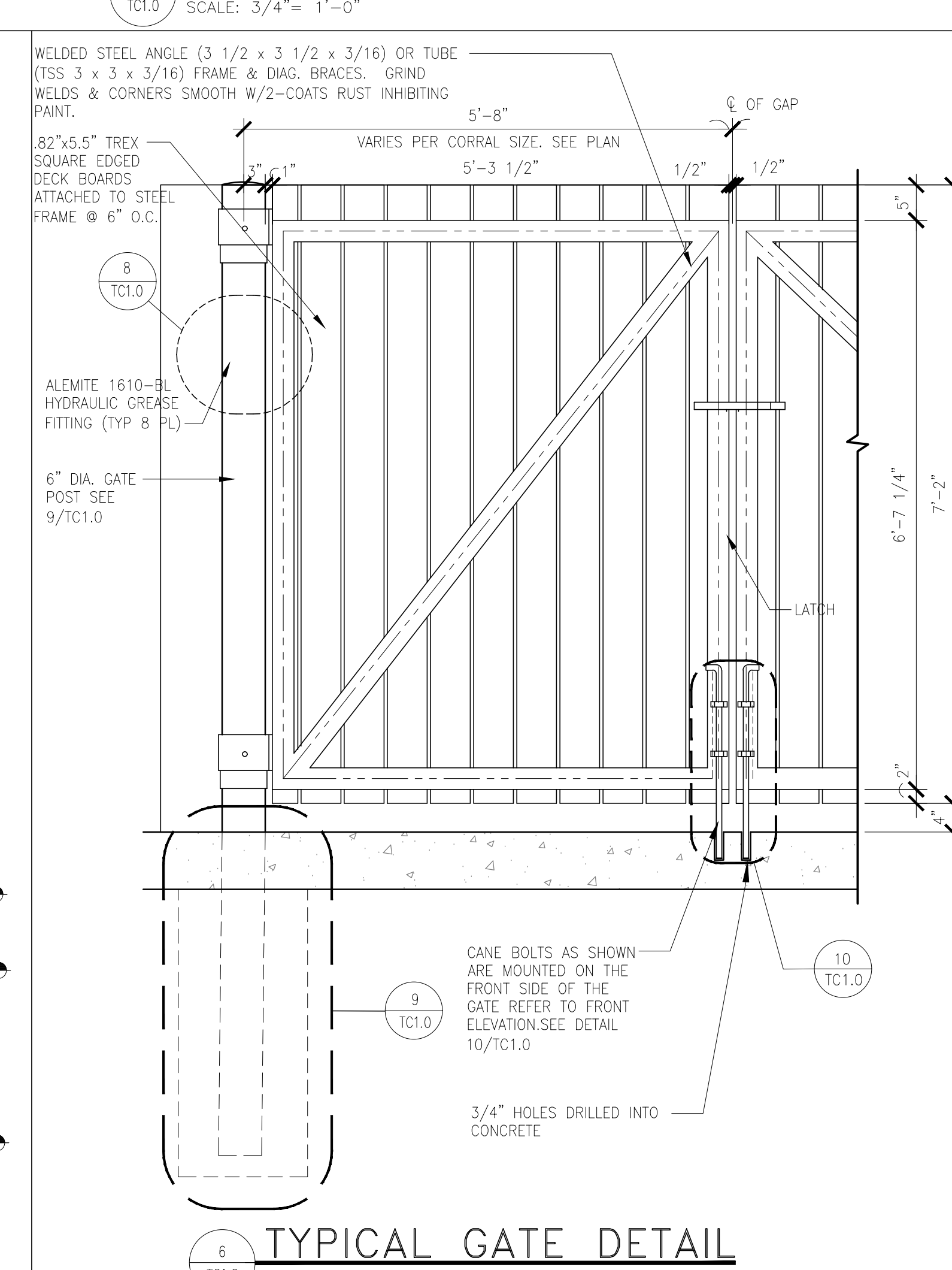
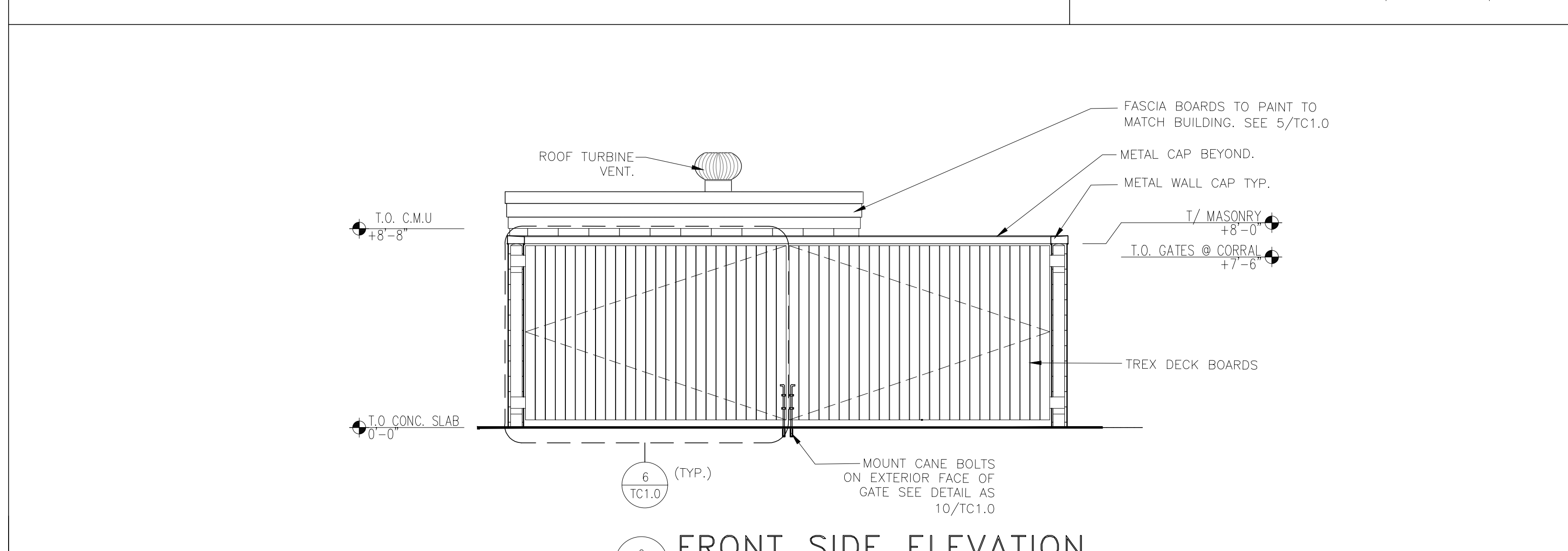
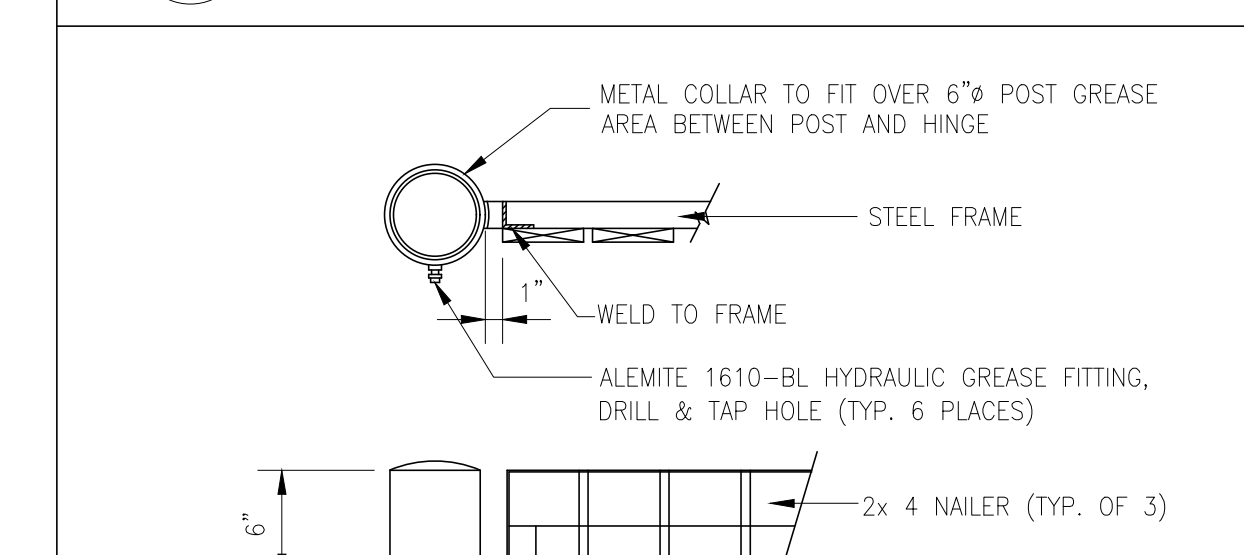
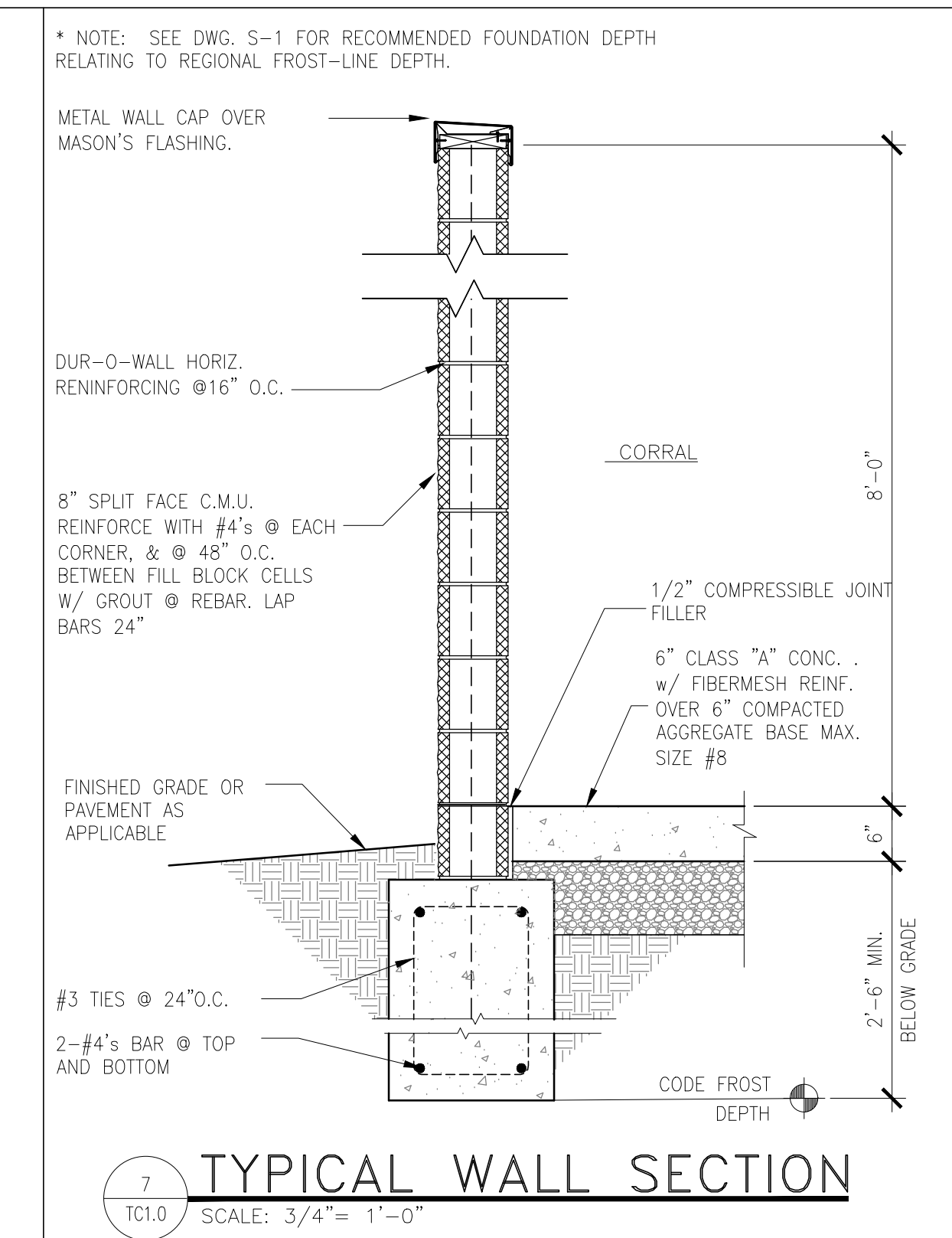
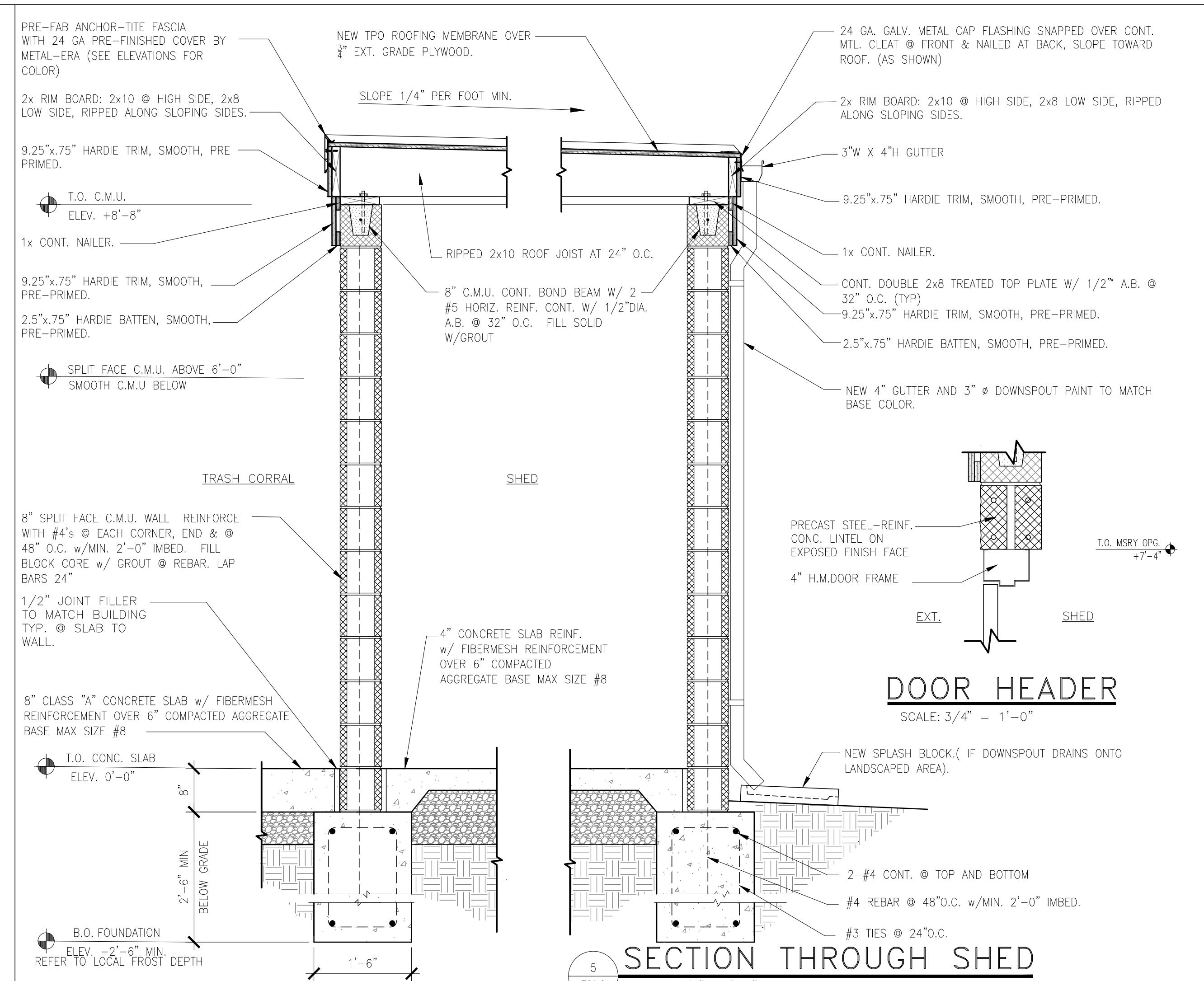
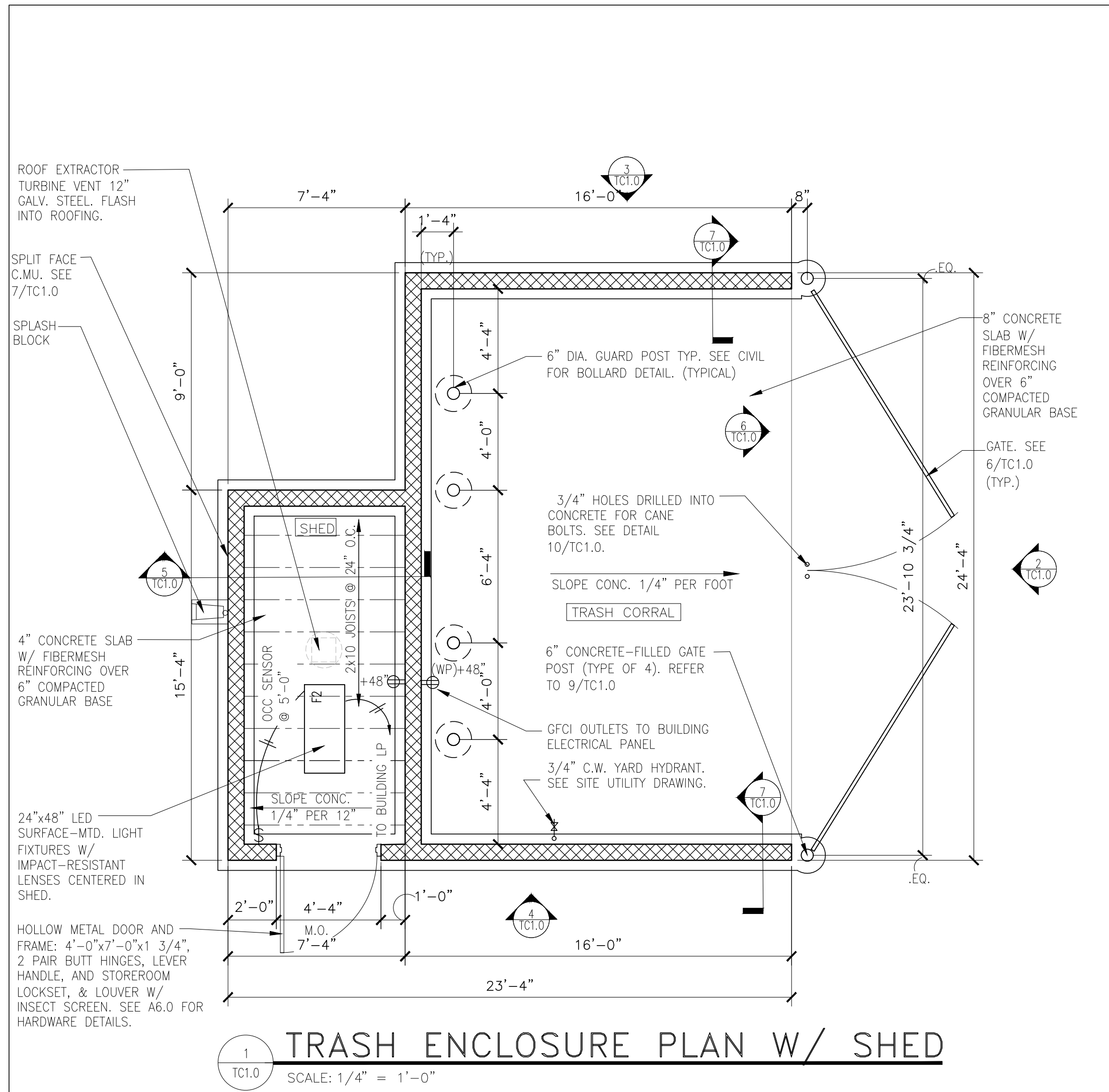
KEY NOTES:

- AL ALUMINUM BATTEN SYSTEM
 SIZE: 2"x2" PROFILE
 COLOR: WOOD GRAIN, BACKRAIL UNFINISHED, ENDCAP PAINTED TO MATCH SUBSTRATE; 1/2" EXTERIOR HIGH DENSITY OVERLAY (HDO) PLYWOOD, BB, GROUP 1, HDO BOTH FACES, APA TRADEMARKED.
 COURSE GRIT SAND SURFACES PRIOR TO PRIMING, PRIME AND PAINT BOTH SIDES AND ALL EDGES PRIOR TO INSTALLATION.
 SUBSTRATE COLOR: "IRON ORE" SW 7069 BY SHERWIN WILLIAMS
- CA CITADEL ACM WALL PANELS
 COLOR: UMBRA GRAY
- BR MODULAR FACE BRICK
 B1 - COLOR:
 B1 = "SLATE GRAY" SMOOTH BY HEBRON BRICK COMPANY
- C1 ALUMINUM CANOPY SYSTEM
 COLOR: WHITE
- C2 ALUMINUM CANOPY SYSTEM
 COLOR: RAL 7022
- CJ CONTROL JOINT
- CM 7" REVEAL PAC-CLAD METAL WALL PANEL SYSTEM BY METAL ERA
 C1 - COLOR:
 C1 = WEATHERED ZINC
- D HOLLOW METAL DOOR
 PAINT: "GAUNTLET GREY" SW7019 BY SHERWIN WILLIAMS
- DE DECAL BY GRAPHICS SUPPLIER
 SURFACE APPLIED, FIELD INSTALLED, PRE CUT, PRE SPACED.
 SUPPLIERS:
 VOMELA (866) 330-7337, ann.bowen@vomela.com
 GEX INTERNATIONAL (847) 543-4600, mcdonaldsdecor@gfxi.com
- DO DOWNSPOUT
 3" DOWNSPOUT BY CANOPY SYSTEM MANUFACTURER
 COLOR: RAL 7022
 COORDINATE WITH CIVIL TO TIE INTO STORM DRAINAGE
- EJ EXPANSION JOINT, SEE DETAIL 7/A4.1
- FB CO2 - CO2 = BULK CO2 FILL BOX (EQPM SCHEDULE ITEM 49.00)
 BO = BULK OIL FILL BOX (EQPM SCHEDULE ITEM 700.18)
- GR GUARD RAIL -SEE SITE PLAN FOR EXACT LOCATION AND LENGTH
 PAINT: "IRON ORE" SW 7069 BY SHERWIN WILLIAMS
- L1 RECESSED DOWN LIGHT FIXTURE - SEE ELECTRICAL
 C1 - COLOR:
 C1 = WHITE
 C2 = GOLD
- L2 RADIAL SCONCE LIGHT FIXTURE - SEE ELECTRICAL
 COLOR: PLATINUM SILVER
- LE ACCENT LIGHTING - SEE ELECTRICAL
 L1 - LED LIGHT:
 L1 = SLIM LED (DOWN ONLY)
 L2 = UP ONLY FLOOD FIXTURE
- MF METAL FASCIA
 T - TYPE:
 1 = PRE-FAB ANCHOR-TITE FASCIA
 2 = BOTTOM TRIM AT METAL REVEAL PANEL
 3 = VERTICAL TRIM AT METAL REVEAL PANEL CORNERS, CLOSURES
 COLOR:
 C1 = WEATHERED ZINC
 C2 = RAL 7022
- PB PIPE BOLLARD - USA 310-SD BASTION
 PAINT RAL 7022
- RO ROOF DRAIN OVERFLOW PIPE PAINT TO MATCH SURROUNDING MATERIAL
- S McDONALD'S SIGNAGE BY OTHERS - UNDER SEPARATE PERMIT.
 C1 - COLOR:
 C1 = WEATHERED ZINC RACEWAY
 C2 = RAL 7022 RACEWAY
- ST CO2 STROBE/ALARM. SEE MECHANICAL DRAWINGS FOR SPECIFICATION.
- TE TRU EXTERIOR 1"x6" TRIM, PAINTED ON SITE
 COLOR: "IRON ORE" SW 7069 BY SHERWIN WILLIAMS
- UN METAL UNDERSCORE
 COLOR: GOLD
- W1 EXTERIOR WINDOW ASSEMBLY - TEMPERED GLASS
 COLOR: DARK BRONZE
- W2 DRIVE-THRU WINDOW BY READY ACCESS
 MODEL: 600 SERIES, 36" SERVICE HEIGHT WITH TRANSOM, MANUAL OPEN; ELECTRONIC RELEASE
 COLOR: DEEP BRONZE
 XX - SLIDE DIRECTION: RL = RIGHT TO LEFT
 LR = LEFT TO RIGHT

TITLE	2025 OPTIMIZED BUILDING - BB20	DATE	2025.10
DESCRIPTION	WOOD BEARING WALLS W/HARDBOARD EXTERIOR FINISH & CI WOOD TRUSS ROOF FRAMING	REVIEWED BY	CJM
NSK-45201	CITADEL ACM WALL PANELS/BATTEN/LAP SIDING EXTERIOR FINISH	DATE ISSUED	02.16.2026
L/C: 13263	7030 NORTHFIELD DRIVE, BROWNSBURG, IN, 46112	PREPARED FOR: McDonald's USA, LLC These drawings and specifications are the confidential and proprietary property of McDonald's USA, LLC and shall not be reproduced, copied, or used in any way without the express written consent of McDonald's USA, LLC. These drawings were prepared for use on this specific site in conjunction with its issue date and are not suitable for use on a reference or example on another project. Reproduction of the drawings without the written consent of LANCER Associates, Inc. is not authorized.	
SHEET NO.	A2.1	DATE	
ELEVATIONS		REV	
		DESCRIPTION	BY



PREPARED BY:
LANCER ASSOCIATES ARCHITECTURE
 145 N EAST STREET
 INDIANAPOLIS, IN 46204
 ©2025 by LANCER Associates, Inc. All rights reserved.



NO.	REV.	DATE	DESCRIPTION	BY

<p>PREPARED BY: LANCER ASSOCIATES ARCHITECTURE 145 N EAST STREET INDIANAPOLIS, IN 46204</p>	<p>© 2025, McDonald's Corporation McDonald's USA, LLC These drawings and specifications are the confidential and proprietary property of McDonald's USA, LLC and shall not be reproduced, copied, or transmitted in any form or by any means, electronic or mechanical, including photocopying, recording, or by any information storage and retrieval system, without the prior written consent of McDonald's USA, LLC. Documents were prepared for use on this specific site in conjunction with its issue date and are not suitable for use on a reference or example on another project. Reproduction of the drawings or specifications for use on another project is not authorized.</p>
<p>DRAWN BY: ob</p> <p>STD ISSUE DATE: 2025 10</p> <p>REVIEWED BY: CJM</p> <p>DATE ISSUED: 11.24.2025</p>	<p>TITLE: 2025 OPTIMIZED BUILDING - BB20 4590- WOOD/WOOD</p> <p>DESCRIPTION: WOOD TRUSS ROOF FRAMING WOOD TRUSS ROOF FRAMING W/ WOOD TRUSS ROOF FRAMING W/ WOOD TRUSS ROOF FRAMING</p> <p>NSN-4201 7030 NORTHFIELD DRIVE, BROWNSBURG, IN, 46112</p>
<p>013.1263.00.0</p> <p>TC1.0</p> <p>TRASH ENCLOSURE</p>	<p>© 2025 by LANCER Associates, Inc. All rights reserved.</p>